



BF-36-ST

BF-Series, See Through Fireplace Specifications

The BF-Series fireplace is an engineered system; please contact Montigo to confirm if your installation requirements are within the installation parameters of these standard specifications. This system is available with COOL PACK technology, which is optional for residential applications but required in public use applications. Also all BF-Series systems are power vented (see Power Vent specs for more details). BF-Series fireplaces are tested and certified to ANSI Standard Z21.50 with CSA International for US and Canada.

GLASS

- Viewing Area: 36" x 28" per side.
- Type: 5 mm thick Tempered glass.
- Temperature
 - No COOL PACK: 210 deg. Fahrenheit
 - w/ COOL PACK: 160 deg. Fahrenheit
 - w/ Power COOL PACK: 110 deg. Fahrenheit } Temperatures in laboratory conditions.

AIR

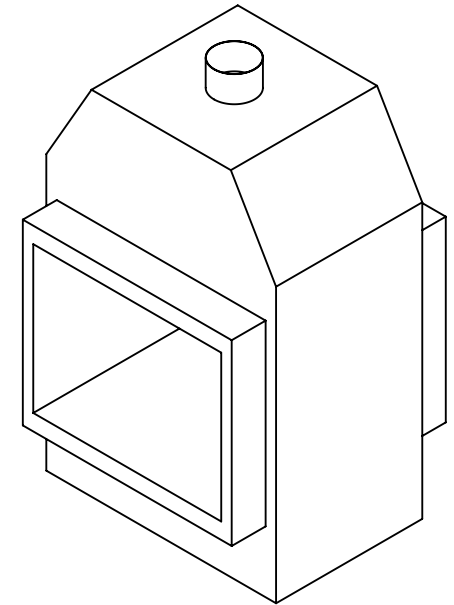
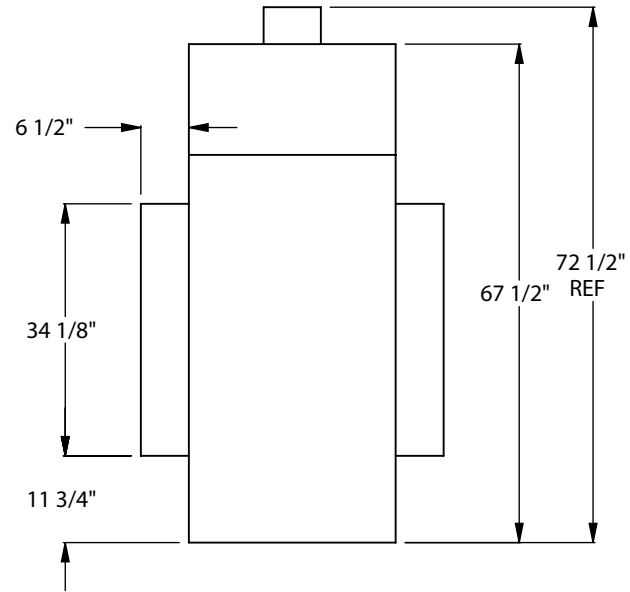
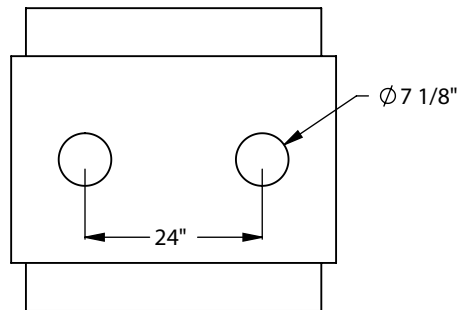
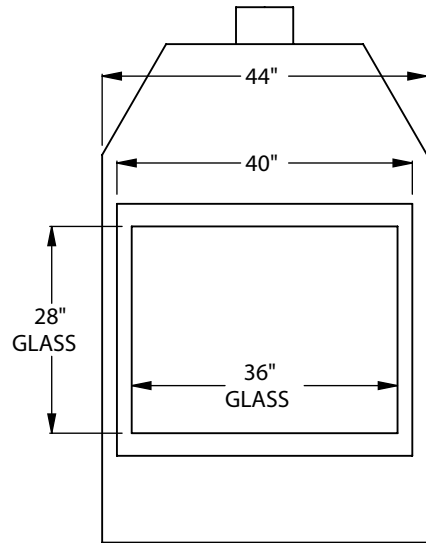
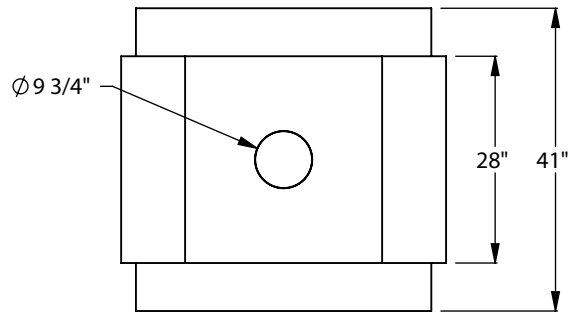
- Consumption Setting
 - No COOL PACK: 575 CFM
 - w/ COOL PACK: 815 CFM
 - w/ Power COOL PACK: 1,055 CFM } Required flow to actuate the controls system.
- Intake Size: Two 7" air intakes, total 77 square inches minimum.
- Intake Location: As per factory shop drawings. For alternate options please contact Montigo.

GAS

- Input: 100,000 BTU, 1/2" NPT Gas line connection located 2" from bottom right side.
- Control Valves: Three Honeywell Smart Valves SV9501 with hot surface pilot Q3450.
- Flue Gas Temperature: 340 deg. Fahrenheit.
- Natural or Propane Gas Burner: Log Set Burner.

VENT

- Size: 10" Type B vent, any manufacture UL/ULC Certified.



Please contact Montigo for rear intake drawing.

BF36-ST
Bottom Intake

art of fireplaces