



BF-84

BF-Series, Single Sided Fireplace Specifications

The BF-Series fireplace is an engineered system; please contact Montigo to confirm if your installation requirements are within the installation parameters of these standard specifications. This system is available with COOL PACK technology, which is optional for residential applications but required in public use applications. Also all BF-Series systems are power vented (see Power Vent specs for more details). BF-Series fireplaces are tested and certified to ANSI Standard Z21.50 with CSA International for US and Canada.

GLASS

- Viewing Area: 84" x 48"
 - Type: 5 mm thick Tempered glass.
 - Temperature
 - No COOL PACK: 210 deg. Fahrenheit
 - w/ COOL PACK: 160 deg. Fahrenheit
 - w/ Power COOL PACK: 110 deg. Fahrenheit
- } Temperatures in laboratory conditions.

AIR

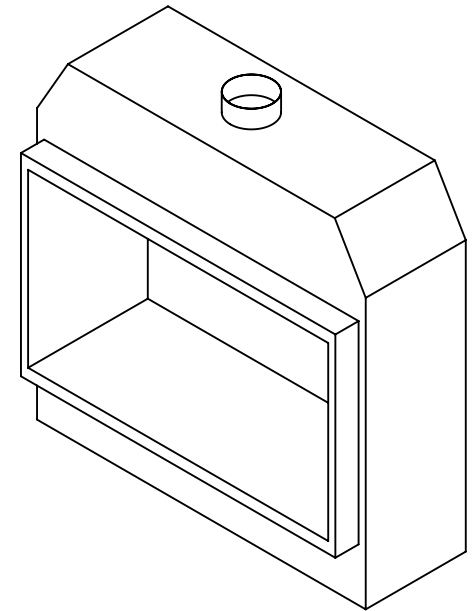
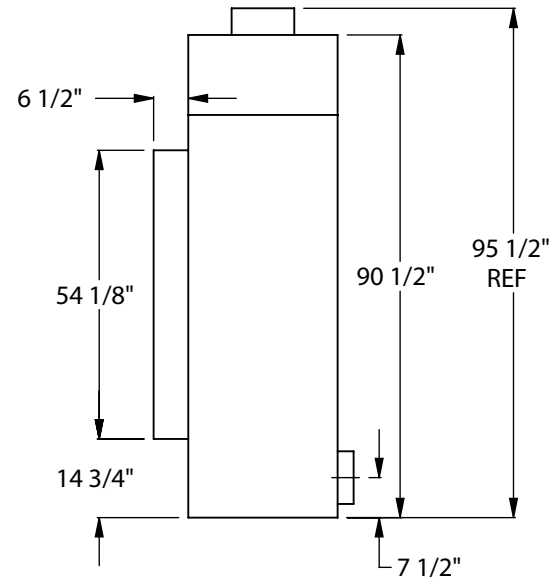
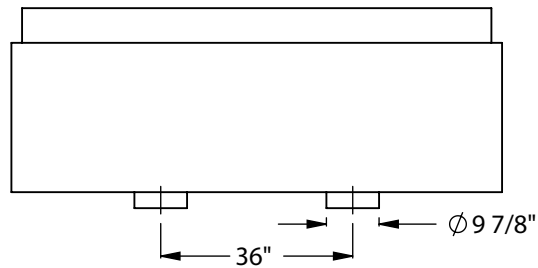
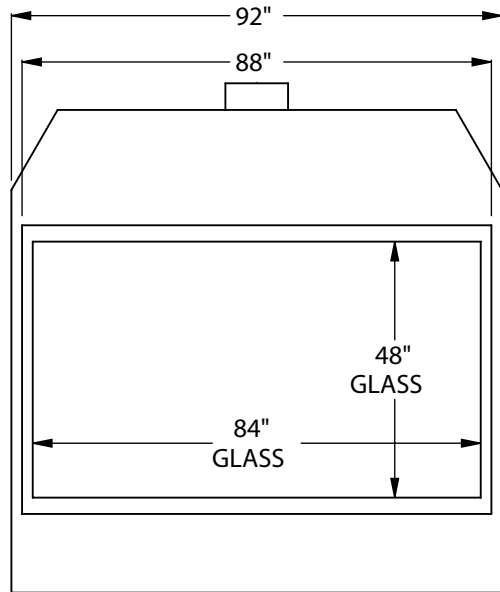
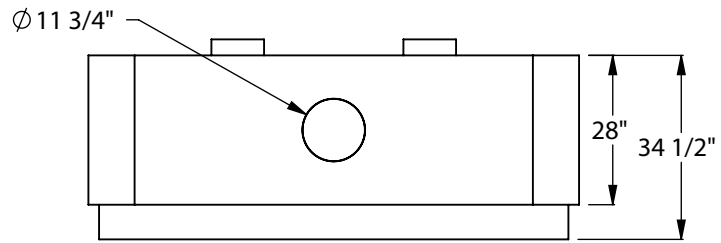
- Consumption Setting
 - No COOL PACK: 1,250 CFM
 - w/ COOL PACK: 1,530 CFM
 - w/ Power COOL PACK: 1,810 CFM
- } Required flow to actuate the controls system.
- Intake Size: Two 10" air intakes, total 157 square inches minimum.
 - Intake Location: As per factory shop drawings. For alternate options please contact Montigo.

GAS

- Input: 225,000 BTU, 1/2" NPT Gas line connection located 2" from bottom right side.
- Control Valves: Three Honeywell Smart Valves SV9501 with hot surface pilot Q3450.
- Flue Gas Temperature: 340 deg. Fahrenheit.
- Natural or Propane Gas Burner: Log Set Burner.

VENT

- Size: 12" Type B vent, any manufacture UL/ULC Certified.



BF84
Rear Intake

artoffireplaces