



 **MONTIGO**[®]
the art of fireplaces
www.montigo.com

H-Series Corner

H-Series Corner

Direct Vent · Flush Face
Multi-Sided Fireplace



HL38DF Linear Burner with Fire Stones shown

HP38DF Pyramid Burner Corner Left shown on reverse

Features:

- ❑ Clean-Face design allows for brick or tile installation over the fireplace frame
- ❑ Convertible using 5"/8" Top or Rear vent
- ❑ Large viewing area that fully displays the captivating fire
- ❑ Pyramid burner comes standard with Fibre Log set, Herring Bone Fibre Brick, & Wrought Iron grate
- ❑ Linear Contemporary burner comes standard with White, Silver, Opaque Fire Stones†
- ❑ Snap-Lock door system
- ❑ IPI Electronic Ignition complete with remote control flame modulation, thermostatic control, & battery backup
- ❑ 100% fail-safe shut-off valve

Options:

- ❑ A choice of 2 burner styles: Pyramid or Linear Contemporary
- ❑ Various Linear Contemporary burner accessories†
- ❑ Digital Thermostat
- ❑ Safety door screen
- ❑ Full stainless steel construction, approved for outdoor use on HL38DF-CLCR

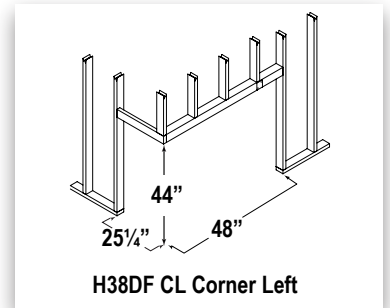
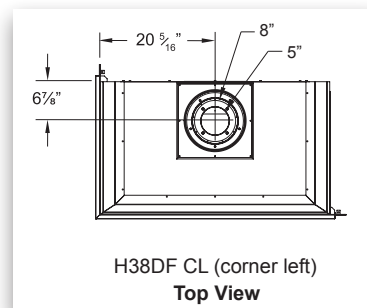
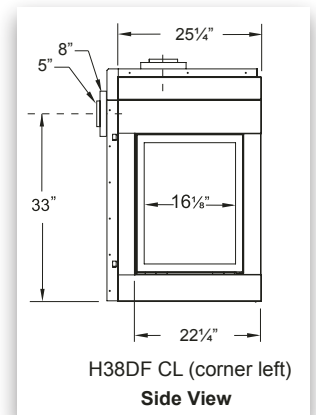
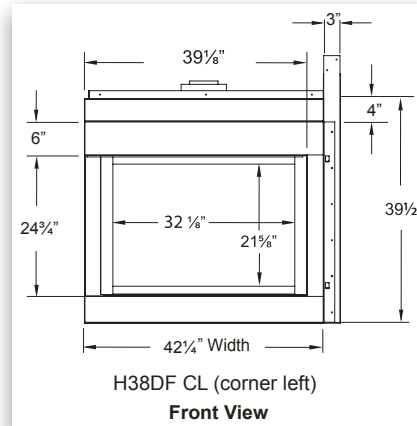
† Visit www.montigo.com for colour images

Fireplace BTU/H Input		
Model#	Natural Gas	Liquid Propane
HP38DF-CLCR	34,000	32,000
HL38DF-CLCR	34,000	32,000

Consult the owner's manual for complete installation instructions and proper clearances to combustible surfaces prior to installing fireplace.

All specifications, framing dimensions, product designs, materials and colors are subject to change without notice. The actual flame pattern and color may vary slightly from the illustrations. Diagrams and illustrations are not to scale.

Options & accessories may have an associated surcharge.



Note: Diagram Dimensions shown for Corner Left Unit. Measurements are the same for Corner Right Unit.

MONTIGO
the art of fireplaces

www.montigo.com

Ferndale, Washington
TF 1.800.789.6236
FX 1.866.300.0927

Langley, British Columbia
TF 1.800.378.3115
FX 1.604.607.6462



Available at:

Printed in Canada

P/N XB2012

060112