



 **MONTIGO**<sup>®</sup>  
the **art** of fireplaces  
[www.montigo.com](http://www.montigo.com)

**H-Series H34**

# H-Series H34

Direct Vent · Flush Face  
Single Sided Fireplace



**HL34DF - Linear Burner with Fire Stones shown on reverse**

## Features:

- ❑ Clean-Face design allows for brick or tile installation over the fireplace frame
- ❑ Convertible using 4"/7" Top or Rear vent
- ❑ Traditional burner comes standard with Fiber Logset
- ❑ River Rock burner comes standard with Designer River Rocks†
- ❑ Linear Contemporary burner comes standard with White, Silver, Opaque Fire Stones†
- ❑ Snap-Lock door system
- ❑ Hi/Lo control for adjusting flame level
- ❑ Millivolt control with Piezo spark ignition allows for continuous operation, even during a power failure
- ❑ 100% fail-safe shut-off valve

## Options:

- ❑ A choice of 3 burner styles: Traditional, River Rock or Linear Contemporary
- ❑ Various Linear Contemporary burner accessories†
- ❑ Choose from 3 styles of Brick lining†
- ❑ Choose from 2 door covers†
- ❑ Wrought iron grate for Traditional burner
- ❑ Digital Thermostat
- ❑ Various Remote Control options
- ❑ Safety door screen
- ❑ Various Fan Kits
- ❑ IPI Electronic Ignition with optional remote control for flame modulation, thermostatic control, & battery backup
- ❑ Full stainless steel construction, approved for outdoor use

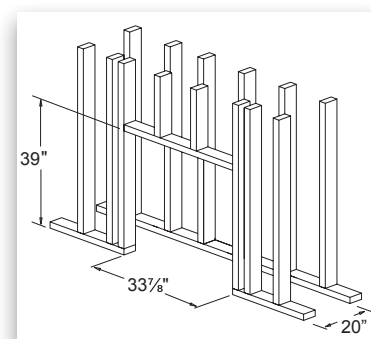
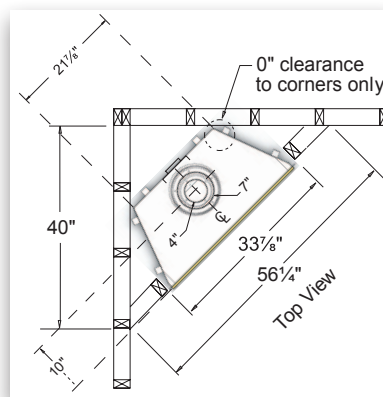
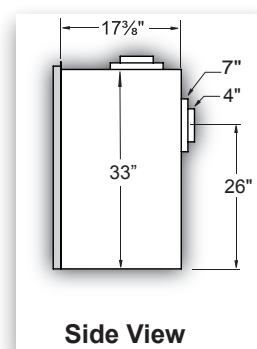
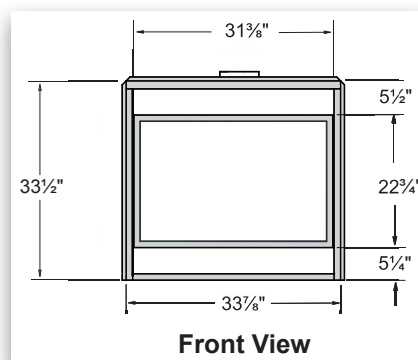
† Go to [www.montigo.com](http://www.montigo.com) for colour images

† HC34DF Rated for Mobile Homes

Consult the owner's manual for complete installation instructions and proper clearances to combustible surfaces prior to installing fireplace.

All specifications, framing dimensions, product designs, materials and colors are subject to change without notice. The actual flame pattern and color may vary slightly from the illustrations. Diagrams and illustrations are not to scale.

Options & accessories may have an associated surcharge.



Fireplace BTU/H Input		
Model#	Natural Gas	Liquid Propane
H34DF	18,000	18,000
HR34DF	18,000	N/A
HL34DF	20,000	20,000
HC34DF <sup>1</sup>	22,000	22,000

**Warranty:** The manufacturer warrants this fireplace to be free from defects in materials and workmanship at the time of manufacture. There is a limited 10 year warranty on the firebox; 5 year limited warranty on the burner and 1 year limited warranty on the pilot burner assembly and fan motors (if included). The valve carries a limited 1 year warranty unless otherwise specified in the installation manual. Glass, plated/painted finishes and refractory lining are exempt.



**MONTIGO**<sup>®</sup>  
the art of fireplaces

[www.montigo.com](http://www.montigo.com)

Ferndale, Washington  
TF 1.800.789.6236  
FX 1.866.300.0927

Langley, British Columbia  
TF 1.800.378.3115  
FX 1.604.607.6462

Available at:

Printed in Canada

P/N XB2000

061113