

Installation & Maintenance Manual



34DVI, 34LVI,
34RDVI,
34HDVI

Direct Vent
Gas Fireplace
Insert

 **WARNING**

Improper installation, adjustment, alteration, service or maintenance can cause injury or property damage. Refer to this manual. For assistance or additional information consult a qualified installer, service agency or the gas supplier.

 **SAFETY NOTICE**

Glass doors on gas fireplaces are extremely hot while the fireplace is on and remain hot even after the fireplace has been turned off. Safety screens are available and can reduce the risks of severe burns. Please keep children away from the fireplace at all times.

 **FOR YOUR SAFETY**

Do not store or use gasoline or other flammable vapors and liquids in the vicinity of this or any other appliance.



 **WARNING**

If the information in these instructions is not followed exactly, a fire or explosion may result causing property damage, personal injury or death.

WHAT TO DO IF YOU SMELL GAS

- Do not try to light any appliance.
- Do not touch any electrical switch; do not use any phone in your building.
- Immediately call your gas supplier from a neighbor's phone. Follow the gas supplier's instructions.
- If you cannot reach your gas supplier, call the fire department.



- *Installer: Leave this manual with the appliance.*
- *Consumer: Retain this manual for future reference.*



WARNING

Read this manual before installing, operating or troubleshooting this appliance.
Please retain this owner's manual for future reference

Table of Contents

Safety Alert Key	3	Section 8: Installing the Accessories	9-11
Introduction	3	▪ Installing the 34DVI Log Set	9
Models	3	▪ Installing the 34HDVI Log Set.....	10
Warranty Information.....	3	▪ Installing the 34LDVI Firestones.....	11
Overview	4	▪ Installing the 34RDVI Artificial River Rocks	11
Before You Begin	4	Section 9: Operation	12-14
Clearances	4	▪ Start-up Sequence with SIT Niva 820.....	12
Inspecting & Cleaning the Chimney	4	▪ Start-up Sequence with Honeywell.....	13
Section 1: Installation	5	• Start-up Sequence with Robert Shaw.....	14
Installing the Gas Line.....	5	Section 10: Maintenance	15
Installing the Chimney Liner.....	5-6	▪ General	15
Section 2:	N/A	▪ Cleaning	15
Section 3:	N/A	▪ Hi-Lo Burner Adjustment	15
Section 4:	N/A	▪ Pilot Burner Adjustment.....	15
Section 5:	N/A	▪ Spare Parts List	16
Section 6: `	N/A	Appendix	
Section 7:		A. Warranty	17
Removing and Installing the Door	7	B. State of Massachusetts.	19
Installing the Faceplate	7 - 8		
Wiring	8		

Introduction

SAFETY ALERT KEY

WARNING!	Indicates a hazardous situation which, if not avoided could result in death or serious injury.
CAUTION!	Indicates a hazardous situation which, if not avoided, could result in minor or moderate injury.
NOTICE	Used to address practices not related to personal injury.
IMPORTANT	Used to address practices not related to personal injury.

INTRODUCTION

Congratulations on your purchase of a Montigo Fireplace.

With over 30 years of experience, Montigo is committed to providing you with a gas fireplace that is not only a beautiful addition to your space, but that is also designed and manufactured to the highest safety, reliability and engineering standards.

We strongly encourage you to read and carefully follow the instructions laid out in this Installation, Operation and Maintenance Manual and retain it for your future reference. Pay special attention to all cautions, warnings, and notices throughout this manual intended to ensure your safety.

This manual covers installation, operation and maintenance. Lighting, operation and care of this fireplace can be easily performed by the homeowner. All installation and service work should be performed by a qualified or licensed installer, plumber or gas fitter as certified by the state, province, region or governing body where the fireplace is being installed.

This installation, operation and maintenance manual is applicable to the models described below. Refer to your rating plate to verify included options. Throughout this manual instructions are applicable to all models designated as **34*DVI*** unless otherwise noted in the Table.

MODEL	Natural Gas	Liquid Propane	Max Gas Input (BTU/hr)	Traditional Burner with logset	Contemporary Burner w/ River Rock	Linear Burner w/ Glass Accessories
34DVIN	X		35,000	X		
34DVIL		X	33,000	X		
34LDVIN	X		26,000			X
34LDVIL		X	26,000			X
34HDVIN	X		26,000	X		
34HDVIL		X	26,000	X		
34RDVIN	X		26,000		X	

WARNING

HOT GLASS WILL CAUSE BURNS. DO NOT TOUCH GLASS UNTIL UNIT COOLED. NEVER ALLOW CHILDREN TO TOUCH GLASS.

Warranty and Installation Information: (See Appendix B)

The Montigo warranty will be voided by, and Montigo disclaims any responsibility for, the following actions:

- ▶ Modification of the fireplace and/or components including Direct-Vent assembly or glass doors.
- ▶ Use of any component part not manufactured or approved by Montigo in combination with this Montigo fireplace system.
- ▶ Installation other than as instructed in this manual.

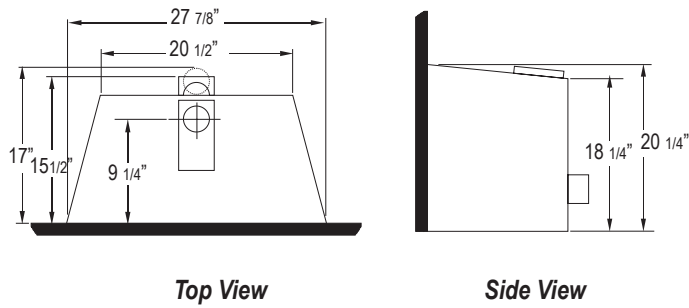
Consult your local Gas Inspection Branch on installation requirements for factory-built gas fireplaces. Installation & repairs should be done by a qualified contractor.

Installation Overview

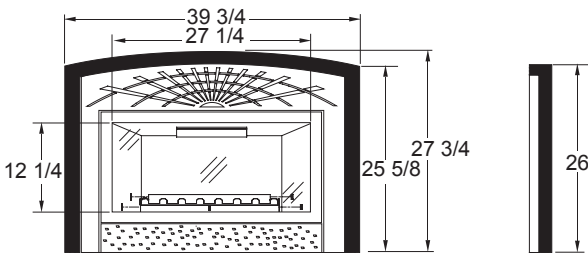


Before You Begin

Ensure that your masonry fireplace's opening is large enough to accommodate the Tuscany. The insert's dimensions are shown below



Note: Minimum masonry fireplace depth = 16"



Front View with Sunrise Faceplate Willow Faceplate height
Figure 1: Fireplace dimensions

Inspecting & Cleaning the Chimney

- The chimney must be built in accordance with the Standards for Chimneys, Fireplaces, Vents and Solid Fuel Burning Appliances, NFPA-211 or applicable National, Provincial, state or local codes.
- Inspect the chimney where the insert will be installed. Ensure that it is in good condition and has been properly constructed according to your local code. Check the outside of the chimney and masonry for damage including cracked, loose or damaged bricks and mortar, or other materials that could inhibit the correct installation of the flexible chimney liner. Ensure that any damage or deterioration has been properly repaired.
- Remove any glazed creosote that has built-up inside the chimney.
- The existing passageway must be cleared of any obstructions that would prevent the flex liner installation.
- The flex liner does not require any clearance between the flex liner and the inner masonry wall. However it is recommended that there be at least 1/2" clearance to fit the flex liner down the chimney.

Note: The existing fireplace damper should be locked open. If the opening is too small for two 3" liners, then the damper should be removed.

- The appliance has gas access holes on the right and left hand side. The easiest point of installation is on the left side of the fireplace and is supplied with a flexible gas connector which extends out either side of the insert a few inches (See figure 3). A 1/2" gas supply pipe must be brought near this connection before installing the Tuscany insert.

Clearances

Perpendicular Wall	3"
Floor	Non-combustable
Mantle (10" wide)*	18 1/2"

The **Tuscany** clearances to combustible materials are:

* Refer to figure 2

.Unprotected combustible walls which are perpendicular to the fireplace opening, must not be closer than 3" to the faceplate.

The Tuscany must be installed in a masonry or factory-built solid fuel fireplace with a hearth extending 16" from the fireplace facing.

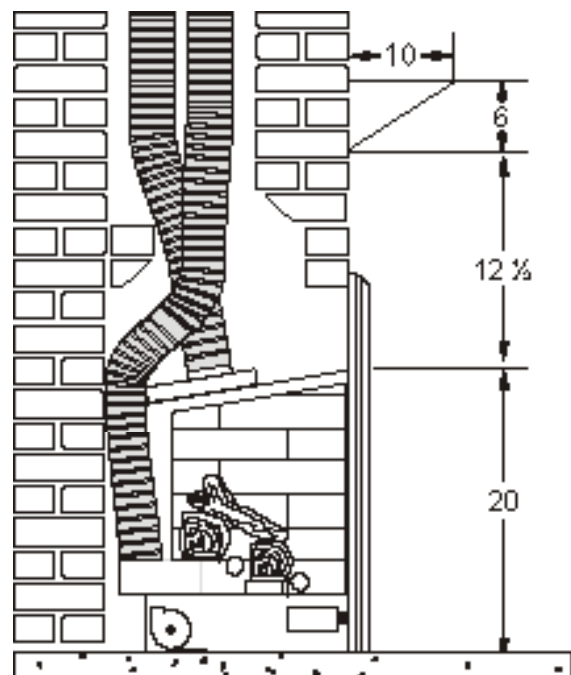


Figure 2: Mantle Clearances.



Installation Section 1

Installing The Gas Line

Before installing the insert, ensure gas line is brought to close proximity of the unit. For ease of installation, this appliance is equipped with an approved flexible gas connector. The connector is factory-installed and can be connected to the gas line as shown in figure 3. **DO NOT CONNECT THE GAS LINE YET.**

Note that the gas connection is on the right side of the unit.

Attach the gas line to the flexible gas connector with an approved fitting, as required by the **applicable installation codes.**

- Only use gas shut-off valves approved for use by the state, province, region, or governing body, in which the appliance is being installed, or as required by the applicable installation codes.

Natural Gas requires a minimum inlet gas supply pressure of 5.5" W.C. & a manifold pressure of 3.5" W.C.

Propane Gas requires a minimum inlet gas supply pressure of 11" W.C. and a manifold pressure of 10" W.C. The fireplace gas connection and the main operating gas control valve is located underneath the firebox in the control compartment.

The appliance and its individual shutoff valve must be disconnected from the gas supply piping system during any pressure testing of that system at test pressures in excess of 1/2 psig (3.5 kPa)

The appliance must be isolated from the gas supply piping system by closing its individual manual shutoff valve during any pressure testing of the gas supply piping system at test pressures equal to or less than 1/2 psig (3.5 kPa)

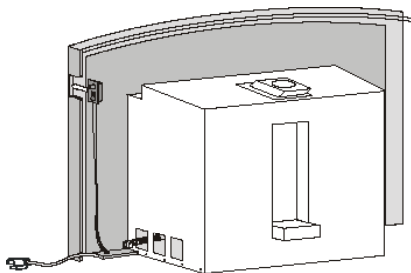


Figure 3. Gas line location on the right-hand side of the appliance (similar on both sides)

NOTE:

After the gas line is connected, **each appliance connection, valve and valve train** must be checked while under normal operating pressure with either a liquid solution, or leak detection device, to locate any source of leak. Tighten any areas where bubbling appears or leak is detected until bubbling stops completely or leak is no longer detected. **DO NOT use a flame of any kind to test for leaks.**

Chimney Liner Installation

This appliance is approved for installation only with DelRay's Direct Vent flex liner kit (part# VT35DV3). The kit contains two 3" diameter flex liners, a Direct Vent chimney cap, and a 16" by 16" flashing.

All installations must conform with local codes. In the absence of local codes, installations must conform with the most recent version of the American National Fuel Gas Code (**ANSI Z223.1-1988**) or the Canadian Gas Installation Code (**CAN/CGA B149.1 and .2**).

STEP 1: Determine the length of the vent run in the masonry chimney. Measure from the masonry base of the fireplace to the top of the clay liner and allow an extra 18" for fitting to the fireplace.

STEP 2: Stretch the flex liner to the desired length. Or, if necessary, cut the flex liner to the measured length using snips, a hacksaw, or a disc cutter. Remember to **allow an extra 18" for fitting** to the fireplace.

Note: Mark one of the pipes for air intake and one for exhaust outlet, to ensure that the proper connections will be made.

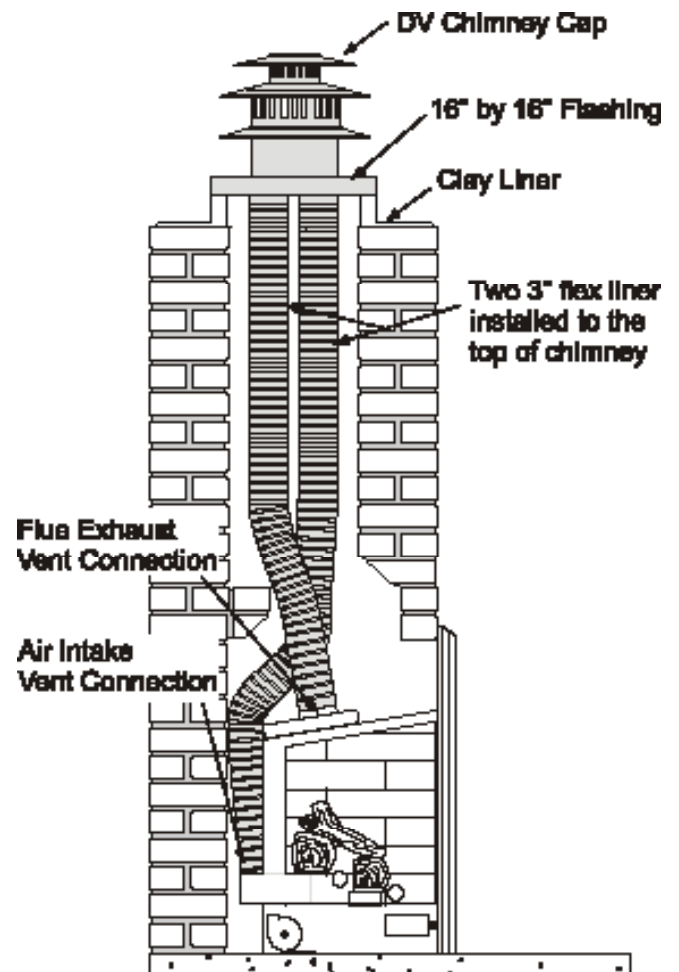


Figure 4: Direct Vent System

Installation



STEP 3: Place the flashing around the chimney cap. Center the flashing on top of the clay tile. Mark the outline of the clay tile on the underside of the flashing. Notch the corners and bend over the excess at the marked outline using a pair of hand folders. See figure 5.

STEP 4: Set aside the chimney cap and flashing, and install the two lengths of 3" flex liner from the top of the chimney down to the masonry opening.

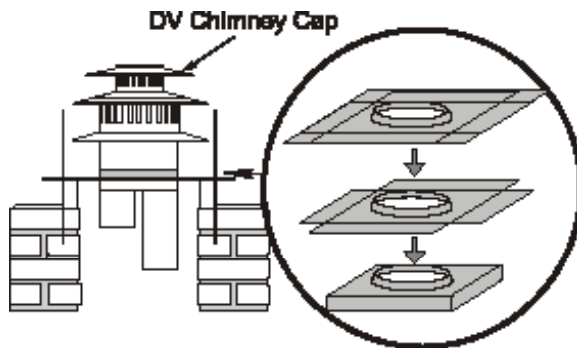


Figure 5. Center, measure, and notch the flashing.

STEP 5: Place a pipe clamp around each piece of flex as illustrated below. Connect one flex liner to the exhaust outlet on the chimney cap. Connect the other flex liner to the air intake collar of the chimney cap. **Mark both ends of the exhaust pipe with black paint or by other means to ensure the proper connection is made.** Tighten the pipe clamps and fasten the pipe with the screws provided. Seal between the flashing and chimney cap with high temperature silicone. See figure 6.

STEP 6: Run a wide bead of silicone along the top of the clay liner,

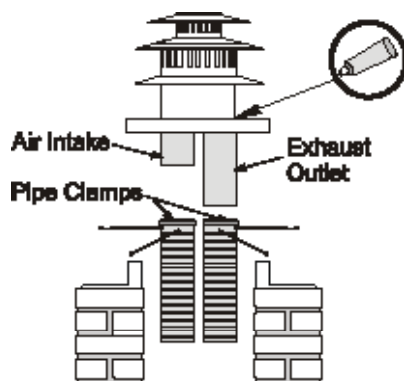


Figure 6. Connecting the exhaust outlet and air intake flex liner.

and press the flashing and chimney cap down on top of the chimney.

STEP 7: Before placing the Tuscany in its location, lay a piece of cardboard on the hearth to protect it. Place the Tuscany

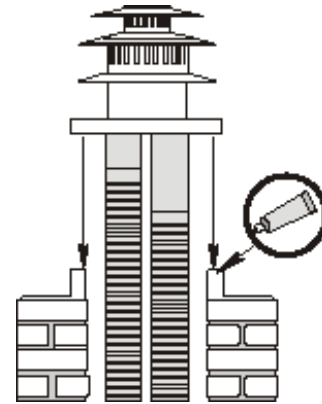


Figure 7. Silicon and seal the chimney and flashing in place.

just in front of the fireplace opening, and connect the gas line. (See Installing Gas Line).

STEP 8: Slide the Tuscany just inside the fireplace opening.

STEP 9: Reach inside the opening above the Tuscany and slide clamps around both flex liners. Pull both flex liners straight to ensure the exhaust and the air intake will not be obstructed. Place a pipe clamp around each piece of flex as illustrated below. Make sure the air intake pipe is connected to the inlet at the back of the fireplace and **the marked or black painted exhaust pipe is connected to the outlet on top of the fireplace.** Tighten the pipe clamps and fasten the pipe with the screws provided. See fig. 8.

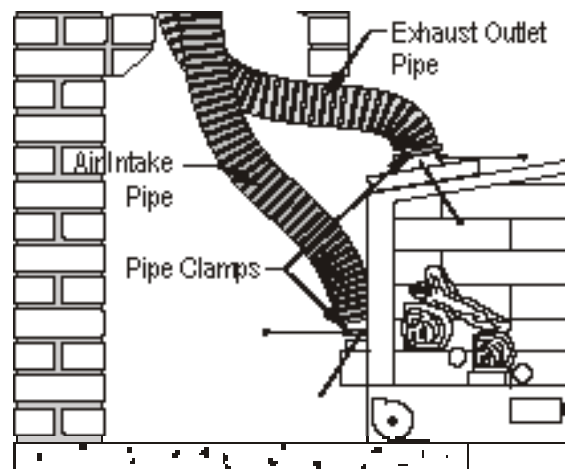


Figure 8. Connect the flex to the exhaust outlet and air intake.



Installation Section 7

Removing and Installing the Door

Removing the door:

The door is held in place by a lip on the top of the metal frame and two buckles at the bottom. Release the buckles and lift the door carefully up and away from the front of the fireplace. See figures 9a and 9b.

Installing the door:

Hook the top edge of the door frame into place. Lower and rest the door frame in place and fasten the buckles. See figures 9a and 9b.

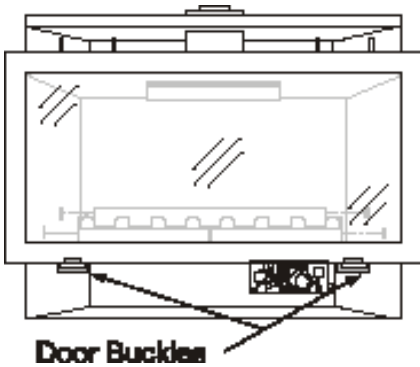


Figure 9a. Removing and installing the glass door.

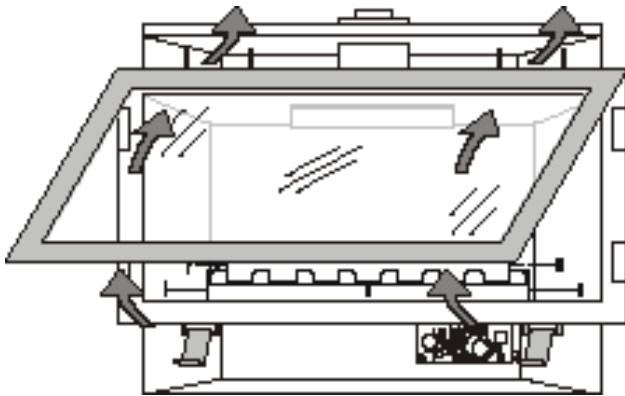


Figure 9b. Removing and installing the glass door.

Installing the Face Plate

1. Remove the Tuscany's glass door, as shown in the previous section.
2. Position the insert just in front of the fireplace opening and ensure that both the air intake and exhaust vents are properly installed. As per previous section
3. Ensure that the gas line is properly connected to the flexible gas connector and tested for any leaks.
4. Position the **backing plate** along the top of the insert and attach it using the three screws provided. See figure 10a, below.
5. Loosen the four screws on the inside edge of the **face plate**, but do

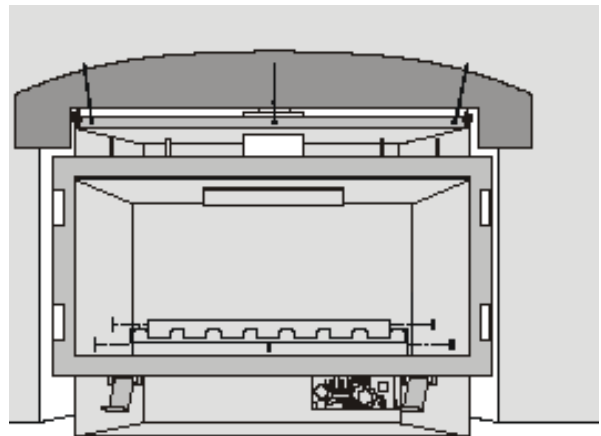


Figure 10a. Installing the backing plate.

not remove them. Make sure the screws are backed off far enough so that the heads of the screws can be pushed into the four mounting slots on the front of the insert. Also, back off the four **locking nuts** slightly. Refer to figure 10b.

Line up all the screws with the four slots on the left and right side of the Tuscany, and centre the faceplate around the fireplace. Fasten the faceplate tightening the four nuts. See figure 10c.

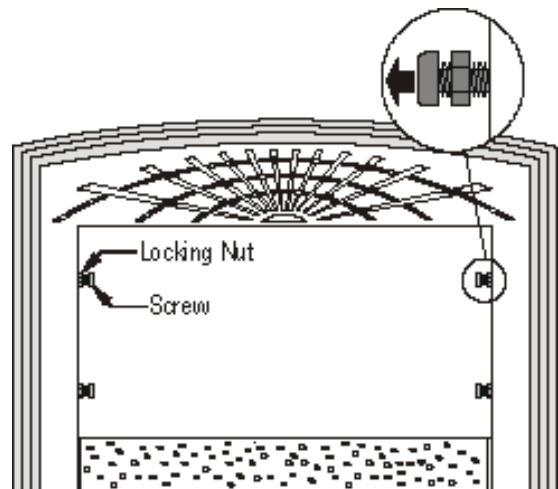


Figure 10b. Adjusting the face plate mounting screws.

Installation

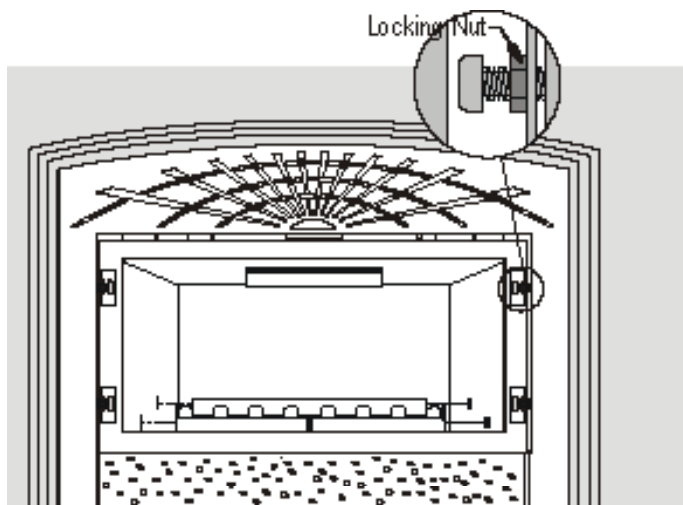


Figure 10c. Attaching the faceplate and tightening the locking nuts.

Wiring

To be completed before positioning the Insert in the fireplace.

Installations in Canada must be electrically grounded in accordance with **CSA C22.1** Canadian Electrical Code Part 1 and/or Local Codes.

Installations in the USA must be grounded in accordance with local codes or, in the absence of local codes, with the National Electrical Code, **ANSI/NFPA 70-1987**.

Wiring Instructions for the Fan Switch Circuit

6. Connect the wire with the plastic (Molex) connector on the left side of the control compartment to the wire which leads to the Fan Sensor Switch.

Run the fan's power cord out through the small notch on the bottom left side of the faceplate.

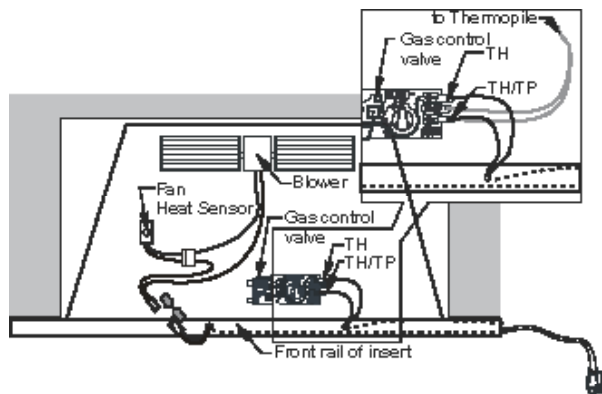


Figure 11a. Connecting the wires to complete the fan speed control and ON-OFF switch circuits.

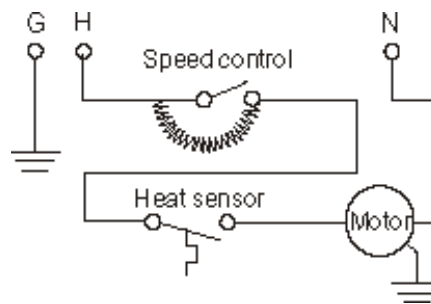


Figure 11b. Wiring Schematic for the fan circuit.

Wiring Instructions for the On/Off Circuit

7. Connect the wires on the right side of the insert's control compartment to the TH and TP-TH terminals on the gas control valve. The wires can be connected to either terminal, as there is no polarity on this circuit.
9. Install the fan speed control and toggle switch assembly. Slide the assembly into the location on the top right of the faceplate as shown from a reverse angle in figure 11b.
10. Centre and slide the Tuscany in its location.

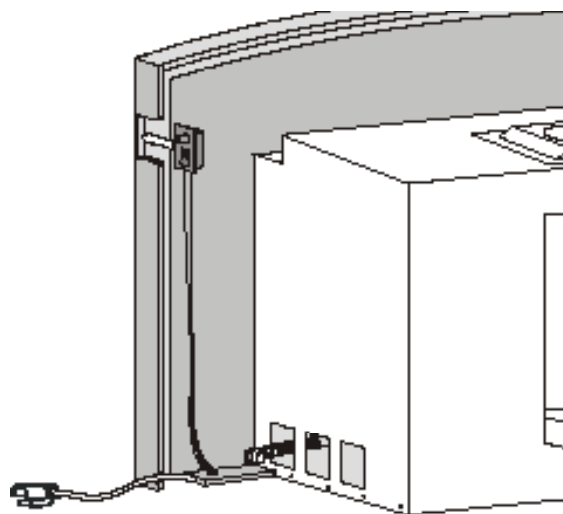


Figure 11c. Installing the fan switch assembly.

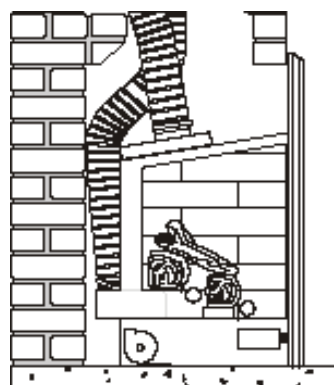


Figure 12. Slide the insert into place.



Installation Section 8

Installing the Log Set

Installing the Logs: Model# 34DVI

The Tuscany is supplied with five ceramic fibre logs. Unpack the logs and handle them very carefully.

1. Remove the door cover and the glass door.

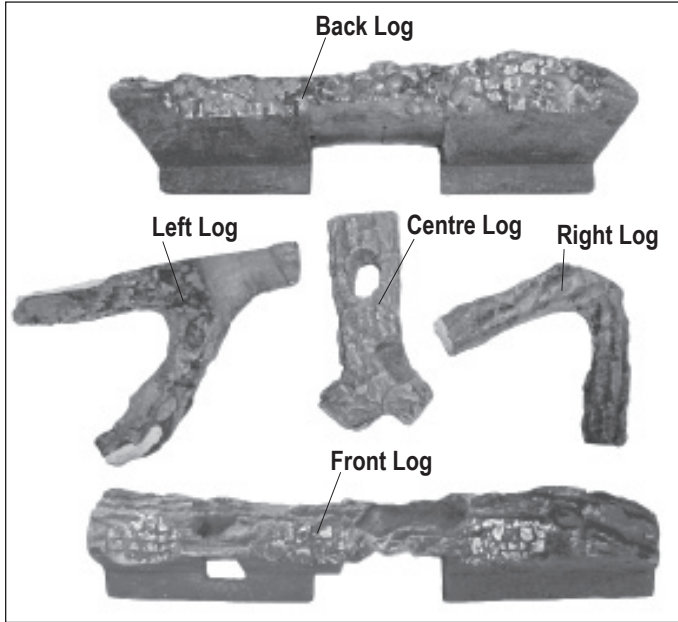


Figure 13a. Tuscany's five piece logset.

2. The back log is factory-installed along with the ceramic brick liner as shown below in figure 12b.
3. Place the Front log onto the front log rest as shown in figure 12c. The log has lip on the bottom which fits into the slot on the log rest.

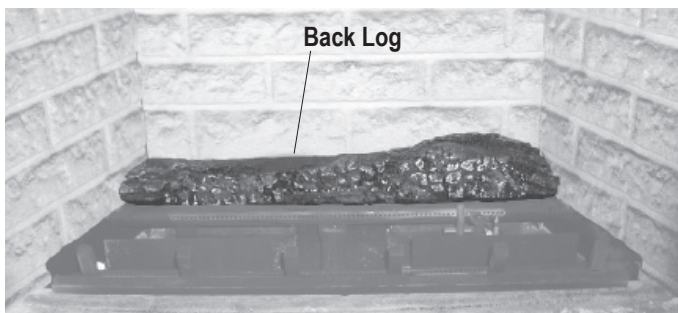


Figure 13b. Back log placement.

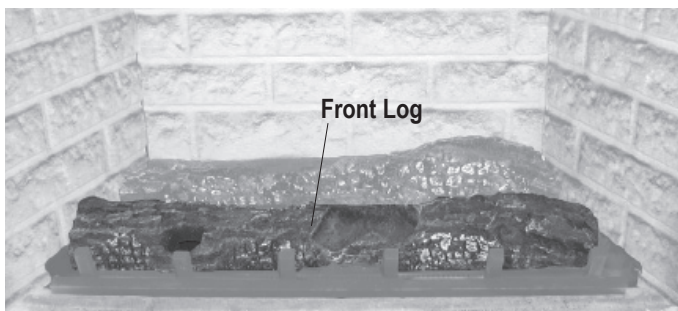


Figure 13c. Front log placement.

4. Place the left, centre, and right logs in sequence from left to right as shown in figures 13d, 13e, and 13f.
5. Start the fireplace. If the flame appears satisfactory, replace the glass door. If the flame does not appear satisfactory, double-check the air inlet and exhaust outlet pipe to ensure that they are unobstructed.

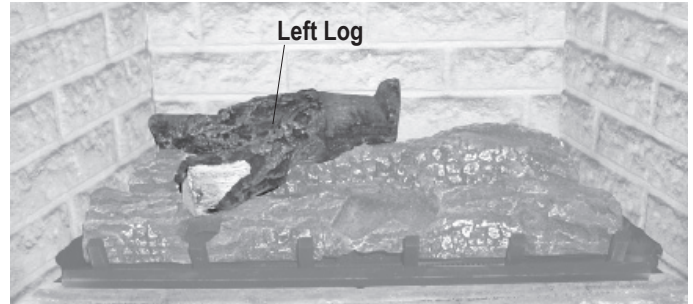


Figure 13d. Left log placement.

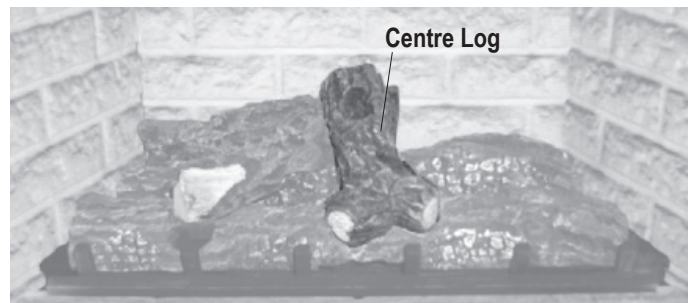


Figure 13e. Centre log placement.

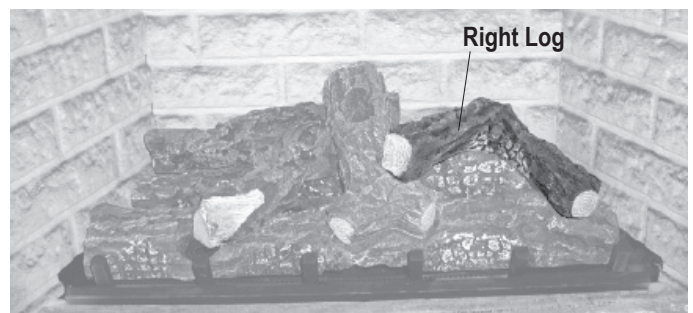


Figure 13f. Right log placement.

NOTES:

- If logs are not placed properly, excessive sooting will result.
- The surface of the logs will crack due to the heat from the flames. This is a normal occurrence.

Installation



Installing the Accessories

Installing the Log set: Model# 34HDVI

The Tuscany 34HDVI* is supplied with a six ceramic fibre log logset. Unpack the logs and handle them very carefully.

Step 1. Remove the glass door as described in the previous Instructions.

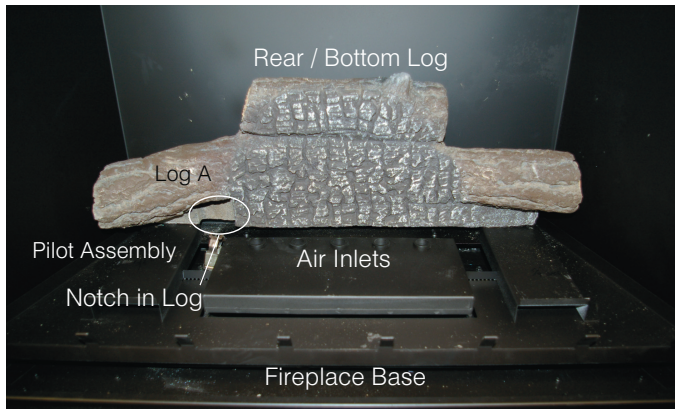


Figure 27a. Bottom Rear Log, (Log A).

Step 2. Place the bottom Rear log (Log A) as shown in **figure 27a**.

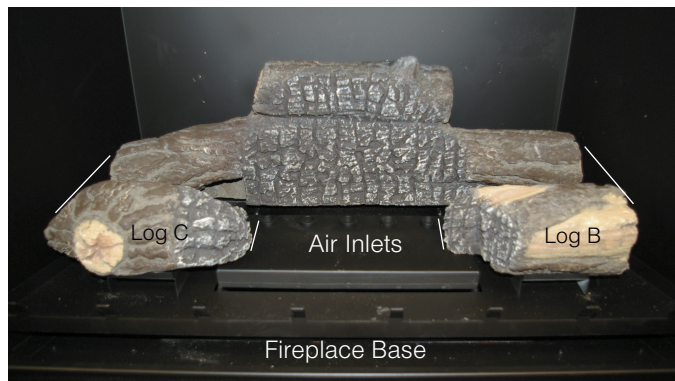


Figure 27b. Left front Log, (Log C) and Right front Log, (Log B).

Step 3. Place the bottom Right log (Log B) and bottom Left Log, (Log C) as shown in **figure 27b**.

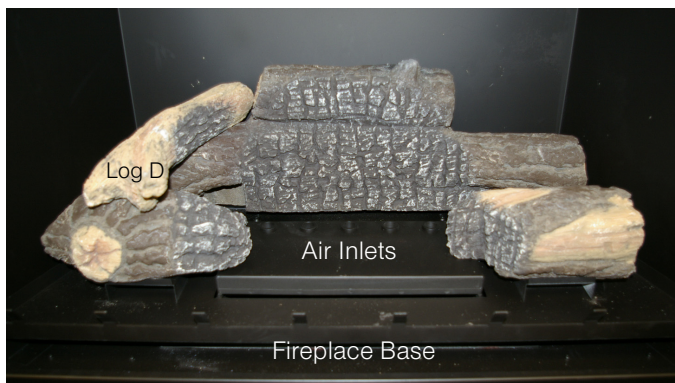


Figure 27c. Top Left Log, (Log D).

Step 5. Place Front Left log (Log D) as shown in **figure 27c**.



Figure 27e. Top Right Log, (Log E).

Step 6. Place Front Right log (Log E) as shown in **figure 27e**.



Figure 27f. Front Left Log, (Log F).

Step 7. Place Front Left log (Log F) as shown in **figure 27f**. Set notch in lower end of Log F against stile on Log Grate.



Figure 27g. Completed Logset.



CAUTION

- If logs are not placed properly, excessive sooting will result.
- The surface of the logs will crack due to the heat from the flames. This is a normal occurrence.



Installation

Installing the Firestones: Model# 34LDVI

34LDVI* Fireplaces, have the option of installing the optional cultured rocks or firestones. As described below, **CAUTION, the firestones cannot cover the burners.** Doing so produces an undesirable / uneven flame pattern, and eventual sooting. Install as shown, **Figure 28a.**



Figure 28a . Spread firestones evenly throughout. (Note: **DO NOT** place ANY firestones on top of the burners).



Figure 28b. Operating Tuscany 34LDVI fireplace with firestones surrounding burner tray.



CAUTION

DO NOT COVER THE BURNERS WITH FIRESTONES OR FAUX RIVER ROCKS.

Installing the Artificial **Model# 34RDVI** River Rocks:

34LDVI* Fireplace, is supplied with (29) twenty-nine faux ceramic fibre river rock. Unpack the rocks and handle them very carefully. Shown Below:

1. Remove the glass door as described in the previous Instructions.

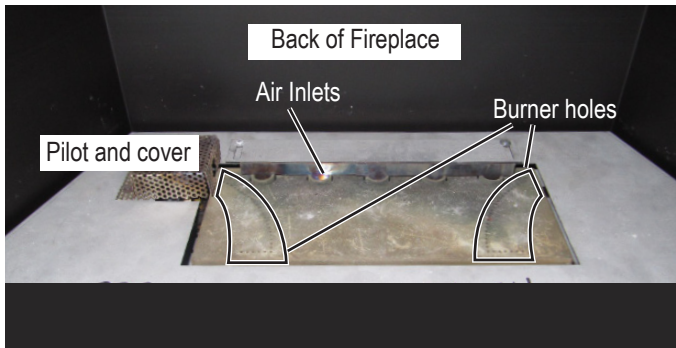


Figure 29a. Firebox prior to faux ceramic fibre rock installation.

2. Install faux ceramic 3 in 1 and 2 in 1 Rock as shown in **Figure 29b.**

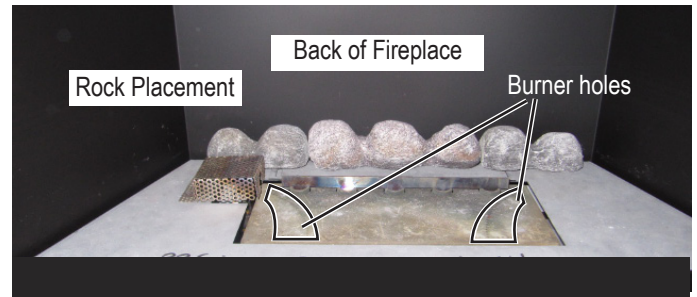


Figure 29b. Placement of Rear faux ceramic rock (flat surfaces of rock on bottom pan of the fireplace). Note size and location of rocks.

3. Install Faux Rocks around outside edge and bottom for firebox pan as shown in **Figure 29c**

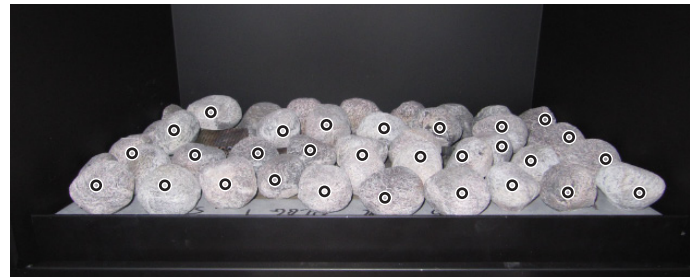


Figure 29c. Placement faux ceramic rocks. Note approximate location and placement.

4. Install remainder of rocks on second level. Place one rock on the Pilot light cover and the remainder covering air intakes. As shown in **Figure 29d**

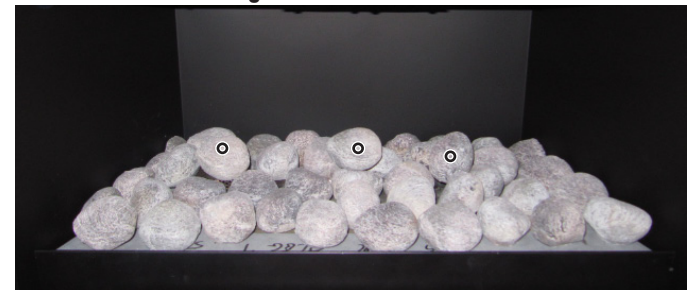


Figure 29d. Placement faux ceramic rocks on second level. Note approximate location and placement.

Completed Placement of Faux Rocks.



Figure 29f. Completed Placement of Faux Rocks. Note: You may have to adjust these three Faux rocks to produce a pleasing flame pattern and reduce sooting.

Operation Section 9



SIT Nova 820

Model# 34LDVI; 34RDVI; 34HDVI

For Your Safety - READ BEFORE LIGHTING:



WARNING




If you do not follow these instructions exactly, a fire or explosion may result causing property damage, personal injury or death.

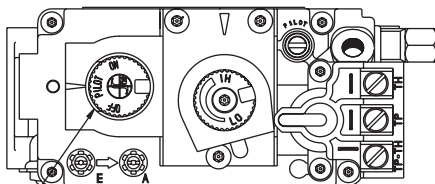
- A. This appliance has a pilot which must be lighted by hand. When lighting the pilot, follow these instructions exactly.
- B. **BEFORE LIGHTING** smell all around the appliance area for gas. Be sure to smell next to the floor because some gas is heavier than air and will settle on the floor.

What To Do If You Smell Gas:

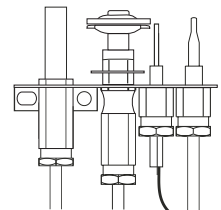
 - Do not try to light any appliance.
 - Do not touch any electrical switch; do not use any phone in your building.
 - Immediately call your gas supplier from a neighbour's phone. Follow the gas supplier's instructions.
 - If you cannot reach your gas supplier, call the Fire Department.
- C. Use only your hand to push in or turn the gas control knob. Never use tools. If the knob will not push in or turn by hand, don't try to repair it, call a qualified service technician. Force or attempt to repair may result in a fire or explosion.
- D. Do not use this appliance if any part has been under water. Immediately call a qualified service technician to inspect the appliance and to replace any part of the control system, and any gas control which has been under water.

Lighting Instructions:


1. **STOP!** Read the safety information above on this label.
2. Lift out the lower Horizontal access panel.
3. Push in gas control knob and turn clockwise  to "OFF."
4. Wait five (5) minutes to clear out any gas. Smell for gas, including near the floor. If you then smell gas, **STOP!** Follow "B" in the safety information above on this label. If you don't smell gas, go to the next step.
5. Locate pilot burner (See illustration at right.) and follow steps below.
6. Turn knob on gas control counter clockwise  to "PILOT."
7. Push in gas control knob completely and hold. Light with Piezo Igniter button. Continue to hold the control knob in for about (1) minute after the pilot is lit. Release the knob and it will pop back up. Pilot should remain lit. If it goes out repeat steps 3 through 8.
 - If knob does not pop up when released. Stop and immediately call your service technician or gas supplier.
 - If the pilot will not stay lit after several tries, turn the gas control knob to "OFF" and call your service technician or gas supplier.
8. Push in gas control knob and turn counter-clockwise  to "ON."
9. Replace the lower Horizontal access panel.
10. Turn on remote switch to ignite fire.



NOTE: Gas control knob cannot be turned from "PILOT" to "OFF" unless knob is pushed in slightly. Do not force.



To Turn Off Gas To Appliance:

1. Turn off remote switch.
2. Lift out the lower Horizontal access panel.
3. Push in gas control knob slightly and turn  clockwise to "Off". Do not force.
4. Replace the lower Horizontal access panel.



Operation

Honeywell

Model# 34DVI

For Your Safety - READ BEFORE LIGHTING:



WARNING




If you do not follow these instructions exactly, a fire or explosion may result causing property damage, personal injury or death.

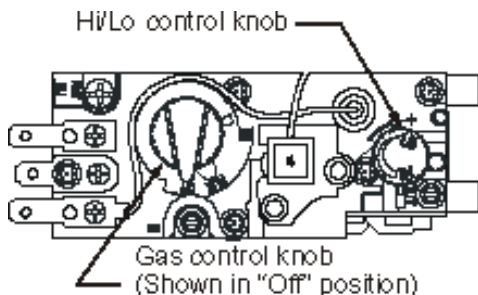
- A. This appliance has a pilot which must be lighted by hand. When lighting the pilot, follow these instructions exactly.
- B. **BEFORE LIGHTING** smell all around the appliance area for gas. Be sure to smell next to the floor because some gas is heavier than air and will settle on the floor.

What To Do If You Smell Gas:

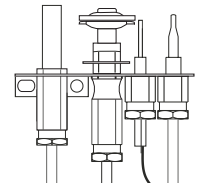
 - Do not try to light any appliance.
 - Do not touch any electrical switch; do not use any phone in your building.
 - Immediately call your gas supplier from a neighbour's phone. Follow the gas supplier's instructions.
 - If you cannot reach your gas supplier, call the Fire Department.
- C. Use only your hand to push in or turn the gas control knob. Never use tools. If the knob will not push in or turn by hand, don't try to repair it, call a qualified service technician. Force or attempt to repair may result in a fire or explosion.
- D. Do not use this appliance if any part has been under water. Immediately call a qualified service technician to inspect the appliance and to replace any part of the control system, and any gas control which has been under water.

Lighting Instructions:


1. **STOP!** Read the safety information above on this label.
2. Flip down the door on the bottom of the faceplate.
3. Push in gas control knob and turn clockwise  to "OFF."
4. Wait five (5) minutes to clear out any gas. Smell for gas, including near the floor. If you then smell gas, **STOP!** Follow "B" in the safety information above on this label. If you don't smell gas, go to the next step.
5. Locate pilot burner and follow steps below.
6. Turn knob on gas control counterclockwise  to "PILOT."
7. Push in gas control knob completely and hold. Light with Piezo Igniter button. Continue to hold the control knob in for about (1) minute after the pilot is lit. Release the knob and it will pop back up. Pilot should remain lit. If it goes out repeat steps 3 through 8.
 - If knob does not pop up when released. Stop and immediately call your service technician or gas supplier.
 - If the pilot will not stay lit after several tries, turn the gas control knob to "OFF" and call your service technician or gas supplier.
8. Push in gas control knob and turn counterclockwise  to "ON."
9. Flip up the faceplate door.
10. Turn on remote switch to ignite fire.



NOTE: Gas control knob cannot be turned from "PILOT" to "OFF" unless knob is pushed in slightly. Do not force.



To Turn Off Gas To Appliance:

1. Turn off remote switch.
2. Flip down the door on the bottom of the faceplate.
3. Push in gas control knob slightly and turn  clockwise to "Off". Do not force.
4. Flip up the faceplate door.

Operation



Robert Shaw

Model# 34DVI

For Your Safety - READ BEFORE LIGHTING:



WARNING




If you do not follow these instructions exactly, a fire or explosion may result causing property damage, personal injury or death.

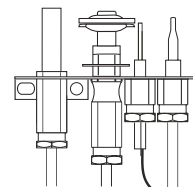
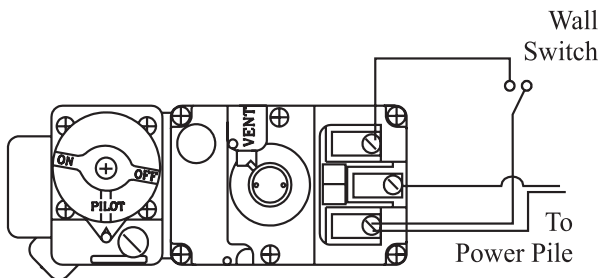
- A. This appliance has a pilot which must be lighted by hand. When lighting the pilot, follow these instructions exactly.
- B. **BEFORE LIGHTING** smell all around the appliance area for gas. Be sure to smell next to the floor because some gas is heavier than air and will settle on the floor.

What To Do If You Smell Gas:


 - Do not try to light any appliance.
 - Do not touch any electrical switch; do not use any phone in your building.
 - Immediately call your gas supplier from a neighbour's phone. Follow the gas supplier's instructions.
 - If you cannot reach your gas supplier, call the Fire Department.
- C. Use only your hand to push in or turn the gas control knob. Never use tools. If the knob will not push in or turn by hand, don't try to repair it, call a qualified service technician. Force or attempt to repair may result in a fire or explosion.
- D. Do not use this appliance if any part has been under water. Immediately call a qualified service technician to inspect the appliance and to replace any part of the control system, and any gas control which has been under water.

Lighting Instructions:

1. **STOP!** Read the safety information above on this label.
2. Flip down the door on the bottom of the faceplate.
3. Push in gas control knob and turn clockwise  to "OFF."
4. Wait five (5) minutes to clear out any gas. Smell for gas, including near the floor. If you then smell gas, **STOP!** Follow "B" in the safety information above on this label. If you don't smell gas, go to the next step.
5. Locate pilot burner and follow steps below.
6. Turn knob on gas control counterclockwise  to "PILOT."
7. Push in gas control knob completely and hold. Light with Piezo Igniter button. Continue to hold the control knob in for about (1) minute after the pilot is lit. Release the knob and it will pop back up. Pilot should remain lit. If it goes out repeat steps 3 through 8.
 - If knob does not pop up when released. Stop and immediately call your service technician or gas supplier.
 - If the pilot will not stay lit after several tries, turn the gas control knob to "OFF" and call your service technician or gas supplier.
8. Push in gas control knob and turn counterclockwise  to "ON."
9. Flip up the faceplate door.
10. Turn on remote switch to ignite fire.



To Turn Off Gas To Appliance:

1. Turn off remote switch.
2. Flip down the door on the bottom of the faceplate.
3. Push in gas control knob slightly and turn  clockwise to "Off". Do not force.
4. Flip up the faceplate door.



Maintenance Section 10

Lighting Instructions

See pages 12 - 14

General

- **Have the fireplace and installation inspected yearly.** The inspection must include, but is not limited to, the following:
 - A visual check of the entire vent system and termination.
 - An inspection of the explosion relief flappers and the door gasketing to ensure a proper seal.
 - An inspection of the burner, venturi, and primary air openings.
 - An inspection of the gas valve, gas components, and pilot flame. For your convenience a 1/8" manifold pressure tap is supplied on the gas valve for a test gauge connection.
 - Ensure proper log placement as per this manual.
 - Inspection of all optional equipment; fans, thermostats, etc.
- For **Natural Gas** this appliance requires a minimum inlet pressure of 5.5" W.C. and a manifold pressure of 3.5" W.C.
- For **Propane Gas** this appliance requires a minimum inlet pressure of 11" W.C. and a manifold pressure of 10" W.C.
- Always keep the fireplace area clear and free of combustible materials, as well as gasoline and other flammable vapors and liquids.
- Do not use this appliance if *any part has been under water*. Immediately call a qualified service technician to inspect the appliance and to replace any part of the control system and any gas control which has been under water.

Cleaning

When the fireplace is first activated, there may be some smoking and a visible film may be left on the glass. This is a normal condition, and is the result of burning of protective coatings on new metal.

- Glass must be cleaned periodically to remove any film (which is a normal by-product of combustion) which may be visible. Film can easily be removed by removing the door, as shown on **Page 20**. Handle the door carefully, and clean it with non-abrasive glass cleaners. One of the most effective products is Kel Kem.
- Silicone seals on inner door during initial firing will "off gas", leaving a visual deposit of a white substance on combustion chamber walls. This can easily be removed using normal household products.
- Use a vacuum cleaner or whisk broom to keep the control compartment, burner, and firebox free from dust and lint.
- Logs may be cleaned periodically with a vacuum to remove soot or other contaminants.

CAUTION

Fireplace gas control must be in the "OFF" position and pilot and main burners extinguished when cleaning

Hi-Lo Burner Adjustment:

(SIT Nova 820).

The **H*38DF*** is equipped with an adjustable burner, allowing you to raise or lower the flames. To adjust the flames, locate the black knob marked 'Hi-Lo', in the centre of the gas control valve (See **Figure 32**).

- To raise the flame height, turn the black knob (located behind the lower trim) **counter-clockwise**.
- To lower the flame height, turn **clockwise**.

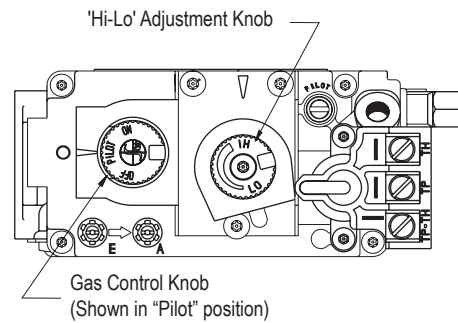
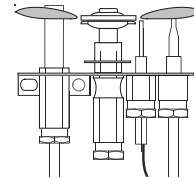


Figure 32. 'Hi-Lo' Adjustment on the **H*38DF*** s gas valve,

Pilot Burner Adjustment: (SIT Nova 820).

1. Locate Pilot Adjustment Screw. (See **figure 33**.)
2. Adjust pilot screw to provide properly sized flame as shown.



3. After installing or servicing, leak test with a soap solution with main burner on. Coat pipe and tubing joints, gasket etc. with soap solution. Bubbles indicate leaks. Tighten any areas where the bubbles appear until the bubbling stops completely.

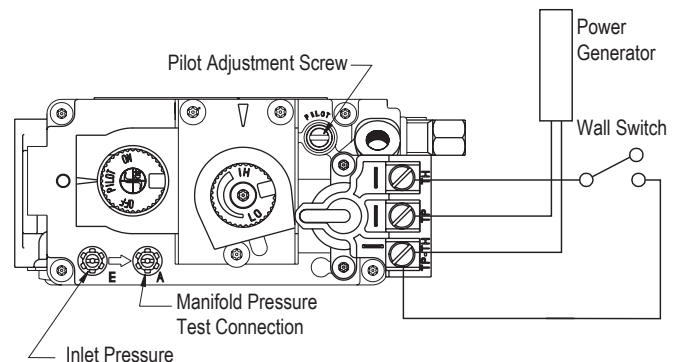


Figure 33. 'Pilot' Adjustment on the **H*38DF*** s gas valve.

Spare Parts List



MODEL#	34DVI	34LDVI	34HDVI	34RDVI
NG Gas Valve	RGC1021	RGC1015	RGC1006	RGC1006
LG Gas Valve	RGC1022	RGC1016	RGC1005	RGC1005
NG Pilot	RPA020	RPA020	RPA020	RPA020
LP Pilot	RPA021	RPA021	RPA021	RPA021
Front Burner NG	RBT1099			
Rear Burner LPG				
Front Orifice NG				
Rear Orifice LPG				
Logs				

Appendix A Warranty

The Warranty

The Companies warrants the DelRay Gas Appliance to be free from defects in materials and workmanship at the time of manufacture. On the DelRay, there is a ten-year warranty on the firebox and its components, a five-year warranty on the main burner, and a one-year warranty on the gas control valve, pilot burner and fibre logs. Glass, plated/painted finishes, and refractory lining are exempt.

Remedy And Exclusions

The coverage of this Warranty is limited to all components of the Gas Appliance manufactured by The Companies.

This Warranty only covers DelRay Gas Appliances installed in the United States or Canada.

If the components of the Gas Appliance covered by this Warranty are found to be defective within the time frame stated (see The Companies right of investigation outlined below). The Companies will, at its option, replace or repair defective components of the Gas Appliance manufactured by The Companies at no charge, and will also pay for reasonable labour costs incurred in replacing or repairing components. If repair or replacement is not commercially practical, The Companies will, at its option, refund the purchase price of the DelRay Gas Appliance.

This Warranty covers only parts and labour as provided above. In no case shall The Companies be responsible for materials, components, or construction which are not manufactured or supplied by The Companies, or for the labour necessary to install, repair or remove such materials, components or construction. All replacement or repair components will be shipped F.O.B. the nearest The Companies factory.

Qualifications To The Warranty

The Gas Appliance Warranty outlined above is further subject to the following qualifications:

- (1) The Gas Appliance must be installed in accordance with The Companies installation instructions and local building codes. The Warranty on this DelRay Gas Appliance covers only the component parts manufactured by The Companies. The use of components manufactured by others with this DelRay Gas Appliance could create serious safety hazards, may result in the denial of certification by recognized national safety agencies, and could be in violation of local building codes. This warranty does not cover any damages occurring from the use of any components not manufactured or supplied by The Companies
- (2) The DelRay Gas Appliance must be subjected to normal use. The Gas Appliances are designed to burn gas only. Burning conventional fireplace fuels such as wood, coal or any other solid fuel will cause damage to the Gas Appliance, will produce excessive temperatures and will result in a fire hazard.

Limitations On Liability

It is expressly agreed and understood that The Companies sole obligation, and purchaser's exclusive remedy under this Warranty, under any other warranty, expressed or implied, or in contract, tort or otherwise, shall be limited to replacement, repair, or refund, as specified above.

In no event shall The Companies be responsible for any incidental or consequential damages caused by defects in its products, whether such damage occurs or is discovered before or after replacement or repair, and whether or not such damage is caused by The Companies negligence. Some states do not allow the exclusion or limitation of incidental or consequential damages, so the above limitation or exclusion may not apply to you. The duration of any implied warranty with respect to this DelRay Gas Appliance is limited to the duration of the foregoing warranty. Some states do not allow limitation on how long an implied warranty lasts, so the above may not apply to you.

Investigation Of Claims Against Warranty

The Companies reserves the right to investigate any and all claims against this Warranty and to decide upon method of settlement.

The Companies Are Not Responsible For Work Done Without Written Consent

The Companies shall in no event be responsible for any warranty work done without first obtaining The Companies written consent.

Dealers Have No Authority To Alter This Warranty

The Companies employees and dealers have no authority to make any warranties nor to authorize any remedies in addition to or inconsistent with those stated above.

How To Register A Claim Against Warranty

In order for any claim under this Warranty to be valid, The Companies must be notified of the claimed defect in writing or by telephone, as soon as reasonably possible after the defect is discovered. Claims against this Warranty in writing should include the date of installation, and a description of the defect.

Other Rights

This Warranty gives you specific legal rights, and you may also have other rights which vary from state to state.

NOTE: *The Companies* as stated above refer to - Canadian Heating Products Inc. and/or Montigo Del Ray Corp.

Canadian Heating Products Inc. and/or Montigo DelRay Corp. reserves the right to make changes at any time, without notice, in design, materials, specifications, prices and also to discontinue colors, styles and products.

Appendix B - State of Massachusetts

Amendment

(Gas Fireplace / Equipment sold in the State of Massachusetts)

5.08: Modifications to NFPA-54, Chapter 10

(1) Revise NFPA-54 section 10.5.4.2 by adding a second exception as follows:

Existing chimneys shall be permitted to have their use continued when a gas conversion burner is installed, and shall be equipped with a manually reset device that will automatically shut off the gas to the burner in the event of a sustained back-draft.

(2) Revise 10.8.3 by adding the following additional requirements:

(a) For all side wall horizontally vented gas fueled equipment installed in every dwelling, building or structure used in whole or in part for residential purposes, including those owned or operated by the Commonwealth and where the side wall exhaust vent termination is less than seven (7) feet above finished grade in the area of the venting, including but not limited to decks and porches, the following requirements shall be satisfied:

1. INSTALLATION OF CARBON MONOXIDE DETECTORS. At the time of installation of the side wall horizontal vented gas fueled equipment, the installing plumber or gas fitter shall observe that a hard wired carbon monoxide detector with an alarm and battery back-up is installed on the floor level where the gas equipment is to be installed. In addition, the installing plumber or gas fitter shall observe that a battery operated or hard wired carbon monoxide detector with an alarm is installed on each additional level of the dwelling, building or structure served by the side wall horizontal vented gas fueled equipment. It shall be the responsibility of the property owner to secure the services of qualified licensed professionals for the installation of hard wired carbon monoxide detectors

a. In the event that the side wall horizontally vented gas fueled equipment is installed in a crawl space or an attic, the hard wired carbon monoxide detector with alarm and battery back-up may be installed on the next adjacent floor level.

b. In the event that the requirements of this subdivision can not be met at the time of completion of installation, the owner shall have a period of thirty (30) days to comply with the above requirements; provided, however, that during said thirty (30) day period, a battery operated carbon monoxide detector with an alarm shall be installed.

2. APPROVED CARBON MONOXIDE DETECTORS. Each carbon monoxide detector as required in accordance with the above provisions shall comply with NFPA 720 and be ANSI/UL 2034 listed and IAS certified.

3. SIGNAGE. A metal or plastic identification plate shall be permanently mounted to the exterior of the building at a minimum height of eight (8) feet above grade directly in line with the exhaust vent terminal for the horizontally vented gas fueled heating appliance or equipment. The sign shall read, in print size no less than one-half (1/2) inch in size, "GAS VENT DIRECTLY BELOW. KEEP CLEAR OF ALL OBSTRUCTIONS".

4. INSPECTION. The state or local gas inspector of the side wall horizontally vented gas fueled equipment shall not approve the installation unless, upon inspection, the inspector observes carbon monoxide detectors and signage installed in accordance with the provisions of 248 CMR 5.08(2)(a)1 through 4.

(b) EXEMPTIONS: The following equipment is exempt from 248 CMR 5.08(2)(a)1 through 4:

1. The equipment listed in Chapter 10 entitled "Equipment Not Required To Be Vented" in the most current edition of NFPA 54 as adopted by the Board; and

2. Product Approved side wall horizontally vented gas fueled equipment installed in a room or structure separate from the dwelling, building or structure used in whole or in part for residential purposes.

(c) MANUFACTURER REQUIREMENTS - GAS EQUIPMENT VENTING SYSTEM PROVIDED. When the manufacturer of Product Approved side wall horizontally vented gas equipment provides a venting system design or venting system components with the equipment, the instructions provided by the manufacturer for installation of the equipment and the venting system shall include:

1. Detailed instructions for the installation of the venting system design or the venting system components; and

2. A complete parts list for the venting system design or venting system.

(d) MANUFACTURER REQUIREMENTS - GAS EQUIPMENT VENTING SYSTEM NOT PROVIDED. When the manufacturer of a Product Approved side wall horizontally vented gas fueled equipment does not provide the parts for venting the flue gases, but identifies "special venting systems", the following requirements shall be satisfied by the manufacturer:

1. The referenced "special venting system" instructions shall be included with the appliance or equipment installation instructions; and

2. The "special venting systems" shall be Product Approved by the Board, and the instructions for that system shall include a parts list and detailed installation instructions.

(e) A copy of all installation instructions for all Product Approved side wall horizontally vented gas fueled equipment, all venting instructions, all parts lists for venting instructions, and/or all venting design instructions shall remain with the appliance or equipment at the completion of the installation.

(3) After NFPA-54 section 10.10.4.2 add a new section 10.10.4.3 as follows:

When more than four gas appliances are to be vented through a common gas vent or common horizontal vent manifold, a plan of the proposed vent installation shall be submitted to the Inspector and the serving gas supplier for review and approval.

Extraction from: Massachusetts Rules and Regulations

5.00: Amendments To 2002 Edition Of ANSI Z223.1-NFPA-54



 **MONTIGO.**
the **art** of fireplaces

Del Ray
Tuscany



Canadian Heating Products Inc.
Langley, BC V4W 4A1

Montigo Del Ray Corp.
Ferndale, WA 98248