



 **MONTIGO**[®]
the **art** of **fireplaces**
www.montigo.com

H-Series Panorama

H-Series Panorama

Direct Vent · Flush Face
Multi-Sided Fireplace



HL38DF-PRC shown on reverse

Features:

- ❑ Clean-Face design allows for brick or tile installation over the fireplace frame
- ❑ Convertible using 5"/8" Top or Rear vent
- ❑ Large viewing area that fully displays the captivating fire
- ❑ Pyramid burner comes standard with Fibre Log set, Herring Bone Fibre Brick, & Wrought Iron grate
- ❑ Linear Contemporary burner comes standard with White, Silver, Opaque Fire Stones†
- ❑ Snap-Lock door system
- ❑ IPI Electronic Ignition complete with remote control flame modulation, thermostatic control, & battery backup
- ❑ 100% fail-safe shut-off valve

Options:

- ❑ A choice of 2 burner styles: Pyramid or Linear Contemporary
- ❑ Various Linear Contemporary burner accessories†
- ❑ Digital Thermostat
- ❑ Safety door screen
- ❑ Full stainless steel construction, approved for outdoor use on HL38DF-PRC

† Visit www.montigo.com for images

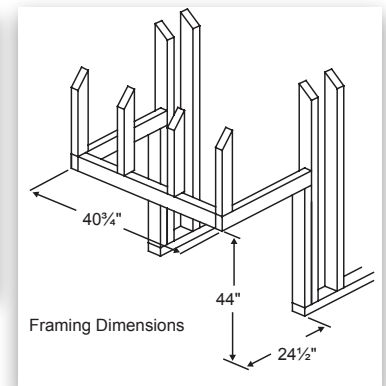
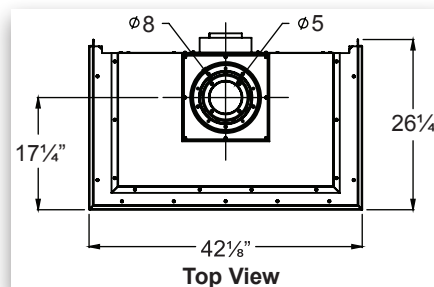
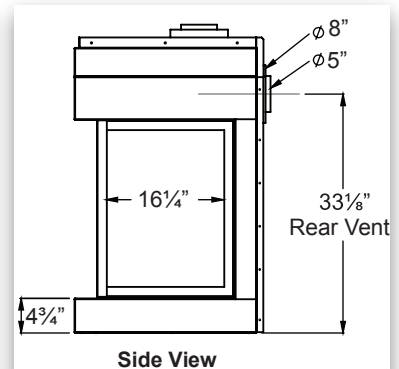
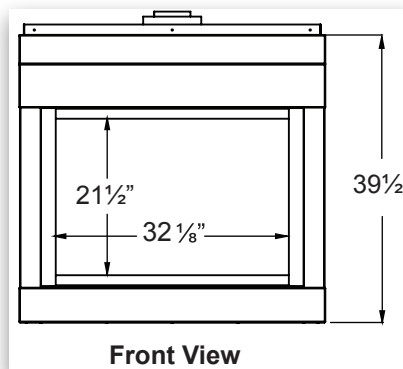
Fireplace BTU/H Input		
Model#	Natural Gas	Liquid Propane
HP38DF-PRC	34,000	32,000
HL38DF-PRC	34,000	32,000

Consult the owner's manual for complete installation instructions and proper clearances to combustible surfaces prior to installing fireplace.

All specifications, framing dimensions, product designs, materials and colors are subject to change without notice. The actual flame pattern and color may vary slightly from the illustrations. Diagrams and illustrations are not to scale.

Options & accessories may have an associated surcharge.

Warranty: The manufacturer warrants this fireplace to be free from defects in materials and workmanship at the time of manufacture. There is a limited 10 year warranty on the firebox; 5 year limited warranty on the burner and 1 year limited warranty on the pilot burner assembly and fan motors (if included). The valve carries a limited 1 year warranty unless otherwise specified in the installation manual. Glass, plated/painted finishes and refractory lining are exempt.



MONTIGO
the art of fireplaces

www.montigo.com

Ferndale, Washington
TF 1.800.789.6236
FX 1.866.300.0927

Langley, British Columbia
TF 1.800.378.3115
FX 1.604.607.6462



Available at:

Printed in Canada

P/N XB2014

060112