



 **MONTIGO**<sup>®</sup>  
the **art** of **fireplaces**  
[www.montigo.com](http://www.montigo.com)

**H-Series Peninsula**

# H-Series Peninsula

Direct Vent · Flush Face  
Multi-Sided Fireplace

HL38DF-PFC Burner with Fire Stones



HP38DF-PFC Burner with Log Set



HL38DF-PFC shown on reverse

## Features:

- ❑ Clean-Face design allows for brick or tile installation over the fireplace frame
- ❑ Convertible using 5" / 8" Top or Rear vent
- ❑ Large viewing area that fully displays the captivating fire
- ❑ Pyramid burner comes standard with Fibre Log set, Herring Bone Fibre Brick, & Wrought Iron grate
- ❑ Linear Contemporary burner comes standard with White, Silver, Opaque Fire Stones†
- ❑ Snap-Lock door system
- ❑ Hi/Lo control for adjusting flame level
- ❑ IPI Electronic Ignition complete with factory installed remote control flame modulation, thermostatic control, & battery backup
- ❑ 100% fail-safe shut-off valve

## Options:

- ❑ A choice of 2 burner styles: Pyramid or Linear Contemporary
- ❑ Various Linear Contemporary burner accessories†
- ❑ Digital Thermostat
- ❑ Safety door screen
- ❑ Full stainless steel construction, approved for outdoor use on HL38DF-PFC

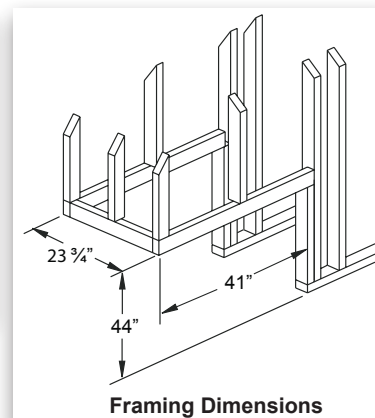
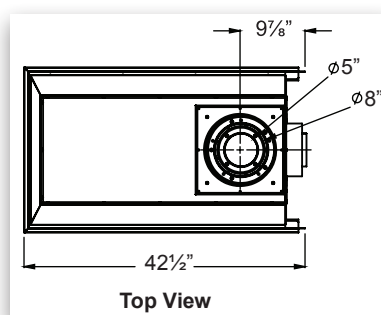
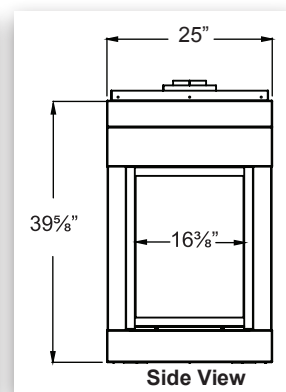
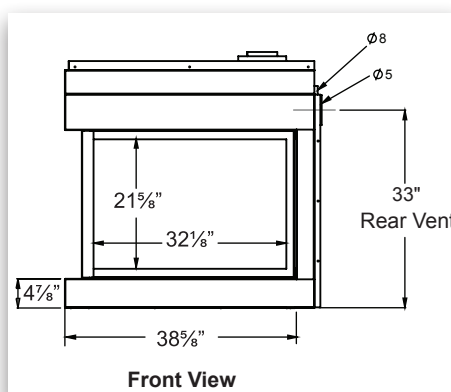
† Visit [www.montigo.com](http://www.montigo.com) for colour images

Model#	Fireplace BTU/H Input	
	Natural Gas	Liquid Propane
HP38DF-PFC	34,000	32,000
HL38DF-PFC	34,000	32,000

Consult the owner's manual for complete installation instructions and proper clearances to combustible surfaces prior to installing fireplace.

All specifications, framing dimensions, product designs, materials and colors are subject to change without notice. The actual flame pattern and color may vary slightly from the illustrations. Diagrams and illustrations are not to scale.

Options & accessories may have an associated surcharge.



**MONTIGO**  
the art of fireplaces

[www.montigo.com](http://www.montigo.com)

Ferndale, Washington  
TF 1.800.789.6236  
FX 1.866.300.0927

Langley, British Columbia  
TF 1.800.378.3115  
FX 1.604.607.6462

Available at:

Printed in Canada

P/N XB2016

060112